



GraviGate®
Safety Closure Systems

“As Dependable as Gravity Itself”

Introducing the GraviGate® safety gates to help guard against falls at ladder way, stairway and floor openings. Versatile in use, these greaseless, self-lubricating, self-closing gates are available in standard and custom sizes. Made from strong, reinforced fiberglass, the unique design is rugged, corrosion resistant and maintenance free.

The GraviGates use the innovative Gravi-T® hinge system. Space-age bearing material, and a unique design allow Gravi-T hinges to swing silently and with low friction to their closed position, without using springs or messy lubricants. Strong stainless steel construction permits their use in many outdoor and corrosive environments. Gravi-T hinges are electrically and thermally insulating by design to help guard against electric shock.

Corrosion resistant, self-closing and maintenance free, GraviGate safety gates are built to last and are as dependable as gravity itself.

Features

- Meets OSHA Standard 1910.23a
- Greaseless and self-lubricating
- Safety Yellow in color
- Corrosion resistant construction
- Stainless steel hinges
- Right and left swing
- Springless return design
- Standard & custom sizes available
- All stainless steel construction available

Benefits

- Zero maintenance
- Extremely rugged
- Long lasting
- Easy to install
- Versatile

Proven Applications

- Ladder way guards
- Floor opening protection
- Stairway guards
- Mezzanine walkways
- Roof ladder guards
- Tower walkways and ladders
- Gantry entrances and exits
- Livestock gateways
- Large equipment ladder guards
- Dangerous equipment guards
- One way personnel guards

Industries Served

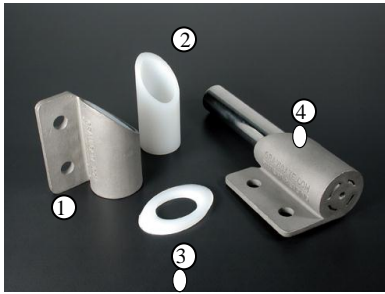
- Railroad
- Paper and Pulp
- Mining Equipment
- Chemical Manufacturing
- Off Road Equipment
- Timber and Steel Handling
- Food Processing
- Water Treatment
- Nuclear, Fossil and
- Hydro power
- Marine
- Farming
- Amusement Parks
- Printing



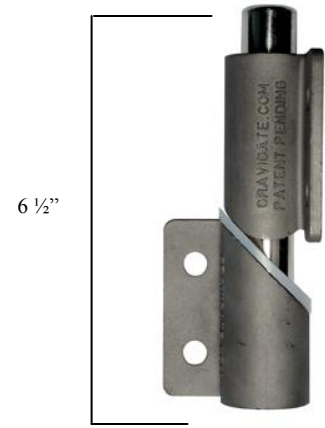
GraviGate Safety Gate

Poly-Tech

Hinge Configuration



- 1 - Upper Hinge Barrel
- 2 - Wear-resistant Bearing
(shown removed from upper hinge barrel)
- 3 - Wear-resistant Lube Ring
- 4 - Lower Hinge Barrel & Stainless Steel Pin

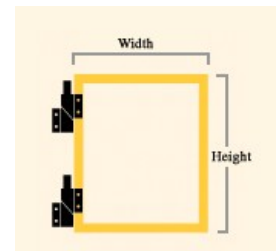


GraviGate® and Gravi-T Hinge Product Information

Custom Sizes are available, please specify dimensions as shown.



| Quantity | Price Each* |
|--------------|-------------|
| 1 thru 9 | |
| 10 thru 19 | |
| 20 thru 49 | |
| 50 thru 99 | |
| 100 thru 499 | |
| 500 thru 999 | |
| *24x24 Gate | |



Please Specify Width and Height



| Quantity | Price Each |
|--------------|------------|
| 1 thru 19 | |
| 20 thru 49 | |
| 50 thru 99 | |
| 100 thru 499 | |
| 500 thru 999 | |



Poly-Tech Industrial, Inc.
 11330 Vanstory Drive
 Huntersville, NC 28078
 Phone (704) 948-8055
 Fax (704) 948-8065
www.polytechindustrial.com
www.gravigate.com